

# 15RLS2 Submittal

## AOU15RLS2, ASU15RLS2 Inverter Driven Heat Pump



Job Name: \_\_\_\_\_  
 Location: \_\_\_\_\_  
 Engineer: \_\_\_\_\_  
 Submitted to: \_\_\_\_\_  
 Submitted by: \_\_\_\_\_  
 Reference: \_\_\_\_\_

Approval: \_\_\_\_\_  
 Date: \_\_\_\_\_  
 Construction: \_\_\_\_\_  
 Unit #: \_\_\_\_\_  
 Drawing #: \_\_\_\_\_

**Outdoor Unit Power** 208-230/VAC-1Ph-60Hz  
 Available Voltage Range 187-253VAC  
 Fuse Size, Max. 20A  
 MCA 13.5A

**Compressor** Inverter Driven Variable Speed DC Rotary  
 No. used 1  
 Output 1000W  
 Lubrican Oil POE (RB68)

**Fan type** Propeller  
 Motor Output 115W  
 Airflow Rate Cooling/Heating (High) 1206 / 1082CFM

**Refrigerant** R410A  
 Outdoor Unit 2lbs 12.0oz  
 Control Electronic Expansion Valve  
 O.D. Discharge (in) 1/4"(Flare)  
 O.D Suction (in) 1/2"(Flare)

**Dimensions** H x W x D  
 Uncrated (in) 24-1/2 x 31-3/32 x 11-11/32  
 (mm) (620 x 790 x 290)  
 Crated (in) 28-1/16 x 37-7/32 x 15-9/16  
 (mm) (713 x 945 x 395)

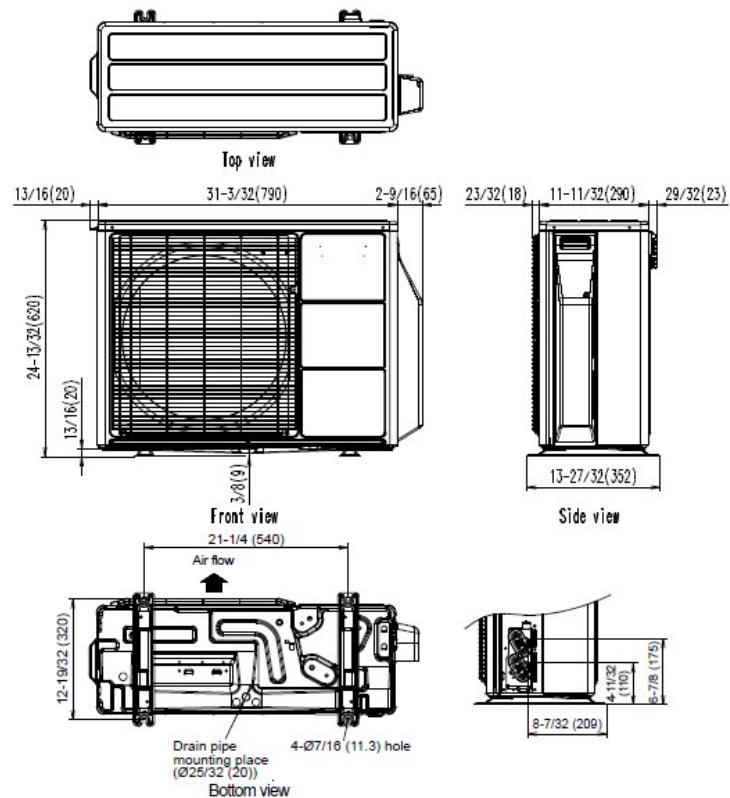
**Weight** Outdoor  
 Net 86lbs (39kg)  
 Gross Shipping 95lbs (43kg)

**Cooling**  
 Rated Capacity 14,500BTU/h  
 Min-Max Capacity 3,100~18,400BTU/h  
 Rated Power Input 4.25kw  
 Max. Power Input 5.40kw  
 SEER 21.5  
 Outdoor Sound Rating 51dB

**Heating**  
 Rated Capacity 18,000BTU/h  
 Min-Max Capacity 3,100~23,900BTU/h  
 Rated Power Input 5.28kw  
 Max. Power Input 7.00kw  
 HSPF 12  
 Outdoor Sound Rating 51dB

**Piping Lengths**  
 Max. Piping Length (Total) 66ft  
 Max. Pipe Height Difference 49ft  
 Connection method (Flared)

**Operating Range**  
 Cooling 14°F~115°F DB  
 Heating -5°F~75°F DB



Fujitsu General America, Inc.  
 Fairfield, NJ 07004  
 Toll Free: 1-888-888-3424  
 Fax: (973) 836-0447  
 www.fujitsugeneral.com

Fujitsu products are subject to continuous improvements. Fujitsu reserves the right to modify product design, specifications and information in this data sheet without notice and without incurring any obligations.

Note: Specifications are based on the following conditions.

Power source of specifications : 230V

Cooling: Indoor temperature of 80°F(26.67°C)DB / 67°F(19.44°C)WB, and outdoor temperature of 95°F(35°C)DB/75°F(23.89°C)WB.

Heating: Indoor temperature of 70°F(21.11°C)DB / 60°F(15.56°C)WB, and outdoor temperature of 47°F(8.33°C)DB/43°F(6.11°C)WB.

Pipe length : 24ft. 7in.(7.5m), Height difference : 0 ft.(0m) [Outdoor unit - Indoor unit]



